

MULTIDOOR NETWORKING CONTROLLER



AL-716-E Series
Multidoor Networking Controller

OPTIONAL PERIPHERAL



AL-716E-IO
AL-716E expansion for 8 DI & 8 DO



AL-7271
Serial Device Network

INTER LOCK



ITL 22
Inter Lock PCB

DOOR LOOP



SD30
Door Loop
36cm Long

ELECTROMAGNETIC LOCK



EL300-S
Mini electromagnetic Lock (300Lbs) with Monitor output



EL600M-S
Mortise electromagnetic Lock (600Lbs)



EL600-S, EL1200-S
Double Door Electromagnetic lock



EL600-E, EL600-S, EL1200-S
Electromagnetic Lock Without or with indicator & monitor output



EL600X-S, EL1200D-S
Water proof electromagnetic lock with monitor out



EL600-H
Electromagnetic Lock (600Lbs) with door handle bracket



SL2600
Shear Lock suitable for all type of 180° door (holding force 2600lbs)



EL175-SLD
Electromagnetic Lock for Sliding Door

ALL IN ONE SINGLE DOOR (STANDALONE / NETWORKING CONTROLLER / NETWORKING READER)



AL-829E-B Series
All in one singel door controller
User capacity : 1024 card



AL-821EF Series
Biometrics with Proximity Fingerprint
User capacity : 9000 fingerprint



AL-721 Series
Controller Build in Reader
User capacity : 1024 card



AL-757H-B
Controller Build in Reader with LCD Display
User capacity : 1024 card



AL-727 Series
Controller Build in Reader with LCD Display
User capacity : 1024 card



AL 747
Controller Build in Reader with LCD Display
User capacity : 1024 card

READERS



AL-737U-BX Series
125K READER Proximity Reader



AL-737U-CX Series
MIFARE READER Proximity Reader



AL-721K-BX Series
WIEGAND READER Proximity Reader



AL-661U
Long Range Reader 60 cm proximity reader Waterproof

PROXIMITY CARD / KEY CHAIN



PC Series MFC08-MF1
Mifare Standard MF1, S50 EEPROM



KC Series MFC03-MF1
Mifare Key Chain Standard MF1, S50 (1 Kbyte) EEPROM

PROGRAMMABLE AUTOMATION

SUITABLE FOR ELEVATOR CONTROLLER




AL-401 Series Programmable Automation Controller 16 output

CONVERTER



PC2485B
Converter isolated RS232 to RS485



AL-829L485
TTL to RS485 Signal Converter



AL-727-CM
Ethernet Converter

BATTERY



B7-12 (12V 7.2AH)
B1-12 (12V 1.2AH)
Battery

POWER SUPPLY



BP123
Backup Power Supply 12VDC 3A



BP125
Backup Power Supply 12VDC 5A

REPEATER



RP-485
RS485 Repeater

ECONOMICAL STAND ALONE CONTROLLER SYSTEM



SKK12W KEYPAD SYSTEM
Self contained keypad System 1 Relay output 2 transistor output



SKR 800 STAND ALONE PIN & RFID ACCESS CONTROL KEYPAD (800 Card)



SDS300 SPLIT DECODED 3 Output Keypad System With Door Alarm and door Chime

MIFARE CARD PROGRAMMING MACHINE



AL 737-P Mifare Card Programming Machine

MESSAGE COLLECTOR



AL-732 Series Message Collector
10 Base T Message Collector Suitable for Big System

WIRELESS REMOTE CONTROL



WRX130 WTX130 Wireless Remote Control

PUSH BUTTON / KEY LOCK



KS-99
Door Release Key Switch



SW-20S
Push Button Switch



SW-20IR
Inter Switch Button



SW-20LB
Push Button Switch with Blue Light



SW-25M
The Door Release Button with Back Box



SW-50P
Push Button Switch Plastic



EBG-87-G/R/W
Glass Break Emergency Door Release



PEB01-EXT
Push Button

AUDIO WARNING DEVICE

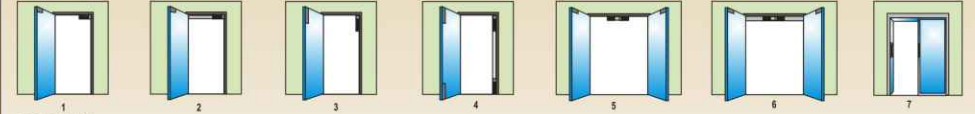


SFM 27
Mini Alarm Buzzer Warble Tone DC 6V - 24V

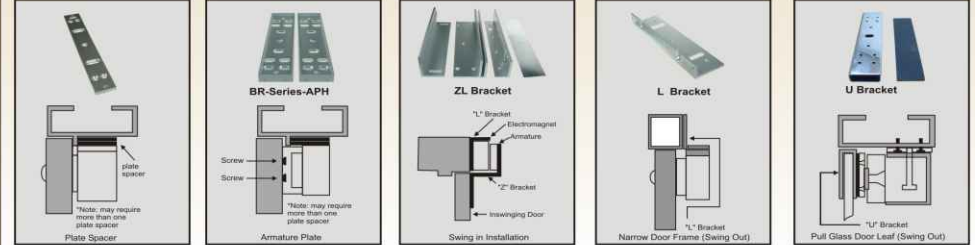


AB215
Mini Alarm Buzzer 12 VDC


APPLICATION




BRACKETS




ELECTRIC BOLT LOCK




DBL-200-S
Electric bolt action lock (Fail Safe) with N.C & N.O Door position Sensor




DBL-201-S
Electric bolt action lock (Fail Secure) with door & Lock position sensor




DBL-200-S
Hollow metal frame



BR-200 Series
Surface mount for narrow frame and thin door leaf



BR-200-GDH
Full glass door leaf



BR-200-U
Full glass door leaf and door frame

MECHANICAL LOCK AND LATCH



DL01
Door Latch



DL02-CTT
Mechanical Tilt deadlatch with Key & thumbturn (Suitable for aluminium door)




DL03-CTT
Mechanical square deadlatch with cylinder & thumbturn (pair with ESL312-SC-S)




DL04-CTT
Mechanical Tilt deadlatch with cylinder & thumbturn (Pair with ESL112, ESL212)

ELECTRIC STRIKE LOCK



ESL112 Series
Standard Electric Strike Lock



ESL412-SF
Electric Strike Lock with signal output for square type dead latch (pair with DL03-CTT)